

# Liberty Pumps®

## 50 Hz

# LSG200-E Series

**Submersible  
Grinder Pump**



**Omnivore®  
Grinders**

**1.5 kW  
1-1/4" NPT Discharge**

**Features:**

- V-Slice® cutter technology
- One-piece uni-body casting
  - Stainless steel impeller
  - 300-Series SS rotor shaft
  - Clog-free volute design
- Upper and lower ball bearings
  - Dual seals
- Heavy-duty oil-filled motor

**Flanged connecting elbow  
(sold separately)**

Includes gasket and stainless  
mounting bolts

Model	Thread Type
G90	1-1/4" NPT
G90-BSP	1-1/4" BSP



**3  
Year Warranty**

**POWDER  
COATED  
TOUGH™**

U.S. Patent # 7,159,806



innovate. evolve. **CE**

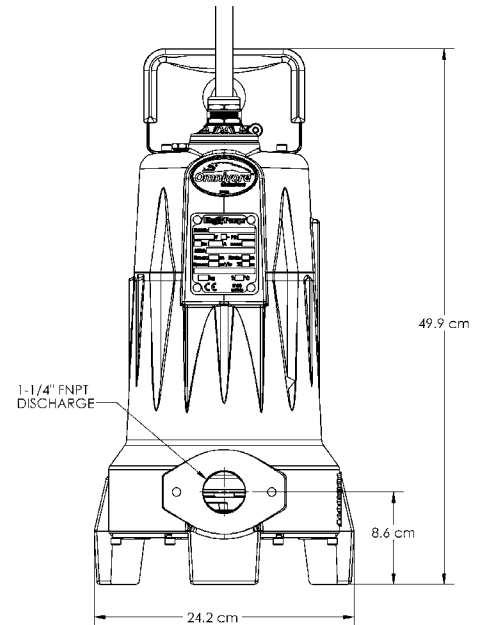
# Omnivore® LSG200-E Series Grinder

Omnivore® grinders meet the demanding needs of commercial and residential sewage applications where difficult solids-handling ability is crucial. The LSG200-E series feature a superior V-Slice® cutting system made of 440 stainless steel - hardened to Rockwell 58c. This system easily shreds solids such as rags, feminine products and other debris known to jam traditional solids-handling sewage pumps. Applications include homes, hotels, schools, commercial buildings and lakefront developments requiring high pressure pumping.

## Specifications

Feature	LSG202M-3E	LSG203M-3E	LSG204M-3E
Motor	Submersible	Submersible	Submersible
kW	1.5	1.5	1.5
Phase	1	3	3
Voltage	230	230	400
Hz	50	50	50
RPM	2875	2875	2875
Amps	9.4	13.1	4.5
Locked Rotor Amps	48	68	32
Max Fluid Temp. (Continuous)	40° C	40° C	40° C
Motor Insulation	Class B	Class B	Class B
Thermally Protected	Yes	No (requires panel)	No (requires panel)
Discharge Size	1.25" FNPT	1.25" FNPT	1.25" FNPT
Cutter Style	V-Slice®	V-Slice®	V-Slice®
Power Cord	HO7RN-F 700V	HO7RN-F 700V	HO7RN-F 700V
Cord Length	10 m	10 m	10 m
Weight	40.0 kg	40.0 kg	40.0 kg
Certification	CE CSA NSF/ANSI 46	CE	CE

All Models IP68 rated.

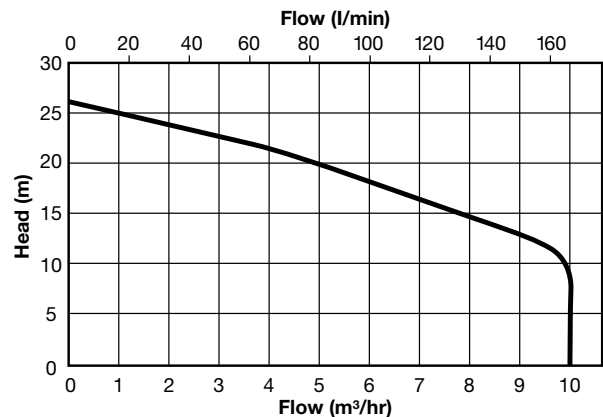


## Materials

Handle	Stainless steel with rubber over-mold grip
Oil	ISO VG32
Motor Housing	Cast iron Class 25
Volute Housing	Cast iron Class 25
Rotor Shaft	300-series stainless steel
Seal Upper	Silicon carbide/Silicon carbide
Seal Lower	*Viton double lip
Cutter Plate	440 Stainless steel hardened to Rockwell 58c
Cutter Blade	440 Stainless steel hardened to Rockwell 58c
Impeller	300-series stainless steel
Upper Bearing	Single row ball
Lower Bearing	Single row ball (angular contact)
Fasteners	300-series stainless steel (all)
Lift out Clasp	300-series stainless steel
Exterior coating	Powder coated – all cast iron parts

\*Viton is a Registered trade mark of Dupont Dow Elastomers LLC.

## Performance Curve 50 Hz



U.S. Patent # 7,159,806

## V-Slice® Technology

Superior cutting system provides improved shredding performance over radial cutters. V-pattern provides up to 108 alternated cuts per revolution. Entire cutting system made of 440 stainless steel hardened to 58Rc.

**Recessed cutter bolt eliminates wadding**

**Exclusion cleanout slots and back relief clears debris from under cutter**



## GR20-Guide Rail Base

- Cast iron construction
- Single 1-1/4" rail design
- Auto alignment feature
- Includes upper rail support bracket, pump claw and base

GR20 option sold separately

Specifications subject to change without notice.