

# Liberty Pumps®

## 50 Hz

# LEH150-E Series



**Submersible  
Sewage Pump**

**1.1 kW**

**2" or 3"  
NPT Discharge**

**Features:**

- Heavy cast iron housing and volute
- Oil-filled motor
- Permanently lubricated upper and lower ball bearings
- Stainless steel rotor shaft
- 2-vane open impeller, cast iron
- 5.08 cm solids-handling design
  - Dual shaft seals
  - 10 m power cord

**3  
Year Warranty**



innovate. evolve.

CE

# LEH150-E Submersible Sewage Pump

## Specifications

Feature	LEH152M2-3E	LEH152M3-3E	LEH153M2-3E	LEH153M3-3E	LEH154M2-3E	LEH154M3-3E
Motor	Submersible	Submersible	Submersible	Submersible	Submersible	Submersible
kW	1.1	1.1	1.1	1.1	1.1	1.1
Phase	1	1	3	3	3	3
Voltage	230	230	230	230	400	400
Hz	50	50	50	50	50	50
RPM	2875	2875	2875	2875	2875	2875
Amps	11.1	11.1	13.2	13.2	4.9	4.9
Locked Rotor Amps	48	48	68	68	32	32
Max. Fluid Temp. (Continuous)	40° C	40° C	40° C	40° C	40° C	40° C
Motor Insulation	Class B	Class B	Class B	Class B	Class B	Class B
Thermally Protected	Yes (internal)	Yes (internal)	No (requires panel)	No (requires panel)	No (requires panel)	No (requires panel)
Discharge Size	2" NPT	3" NPT	2" NPT	3" NPT	2" NPT	3" NPT
Solids-handling	5.08 cm	5.08 cm	5.08 cm	5.08 cm	5.08 cm	5.08 cm
Power Cord	H07RN-F 700V	H07RN-F 700V	H07RN-F 700V	H07RN-F 700V	H07RN-F 700V	H07RN-F 700V
Cord Length	10 m	10 m	10 m	10 m	10 m	10 m
Weight kg	45	45	45	45	45	45
Certifications	CE	CE	CE	CE	CE	CE

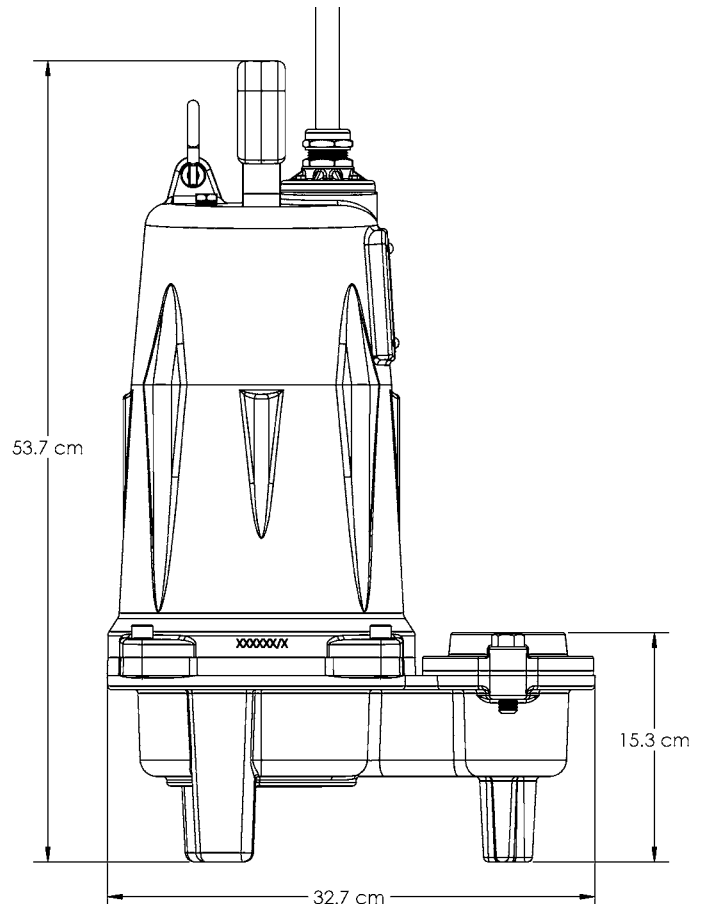
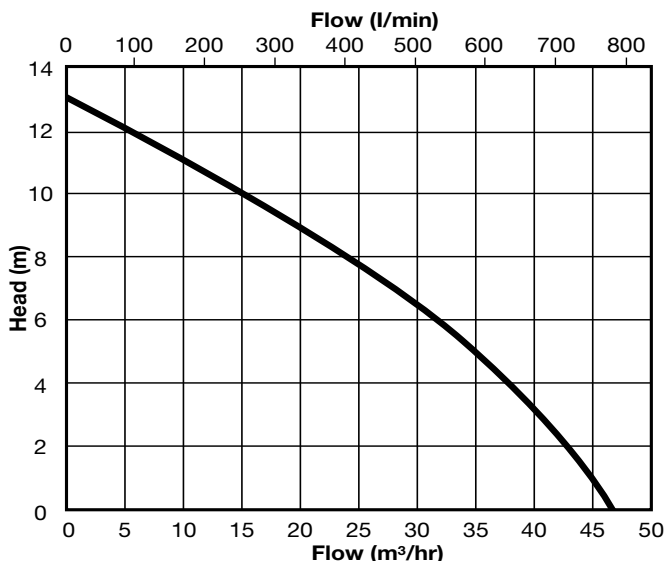
All Models IP68 rated.

## Materials

Handle	Stainless Steel with rubber over-mold grip
Oil	ISO VG32
Motor Housing	Cast iron – class 25
Volute Housing	Cast iron – class 25
Rotor Shaft	300-series stainless steel
Seal Upper	Silicon carbide/silicon carbide
Seal Lower	*Viton double-lip
Impeller	Cast iron – class 25 (2-vane open)
Fasteners	300-series stainless steel
Lift out Clasp	300-series stainless steel
Exterior Coating	Powder coated – all cast iron parts

\*Viton is a Registered trade mark of Dupont Dow Elastomers LLC.

## Performance Curve 50 Hz



Specifications subject to change without notice.