



Pump specifications:

Type.....	B70-250 BVGMC
Max. flow	70 m ³ /hour
Max. head.....	74 mwc
Connections.....	3" BSP
Impeller type	Open impeller
Free passage.....	12 mm
Pump speed	2850 rpm
Electric motor.....	22 kW - 2 pole
Voltage	400/690V IE2
Assembly	Monobloc
Weight (net)	265 kg

FEATURES

B self-priming centrifugal pump

The B range of pumps have been designed with a clear focus on reliability, efficiency and durability, ranging from 1-1/2" to 12". Featuring an open impeller configuration in combination with a changeable wear plate, facilitating servicing and minimising costs of spares. All B series pumps are fitted with a non return valve in the suction port, eliminating the need for a foot valve in suction line and allowing quick priming.

Design features

- Basic, reliable technology
- Large solids handling capacity
- Suitable for use with hot fluids
- Cooled shaft seal
- Extended life due to pump design
- Available with ATEX approval

Fields of application

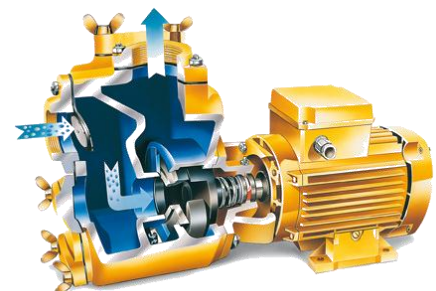
- Shipping
- Industry
- Construction
- Waste water management
- Emergency pump units
- Irrigation
- Agriculture
- Horticulture

Complete package designed & built by BBA Pumps

- Complete in-house design & production
- Over 60 years of experience in the market
- Extensive testing facility in-house
- Contemporary & functional design
- Durable & eco-friendly materials
- Custom builds available

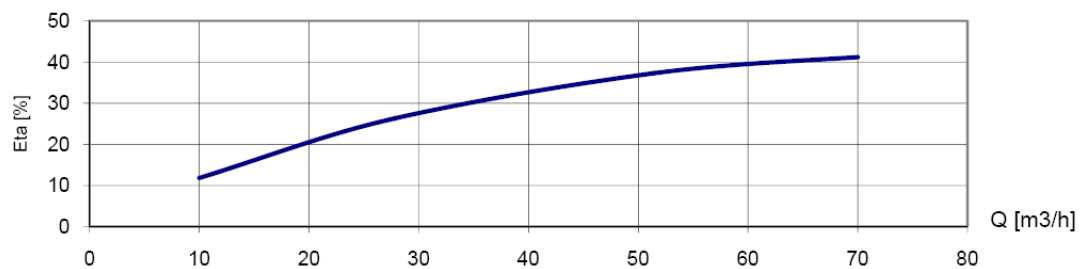
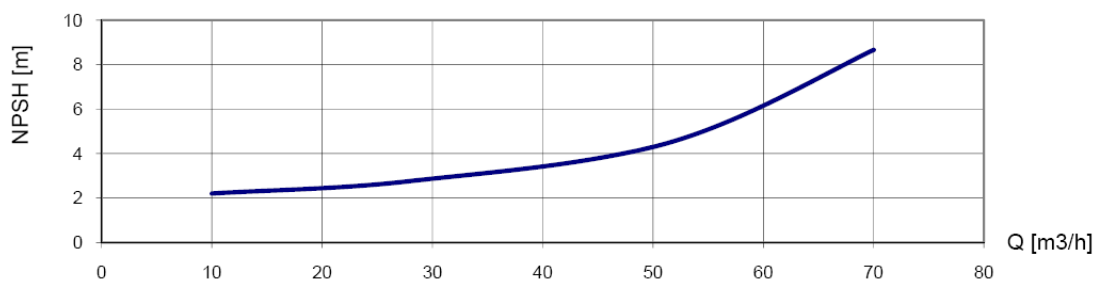
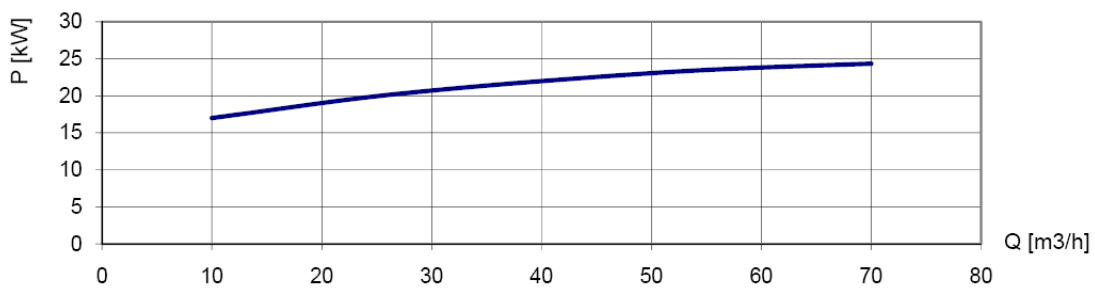
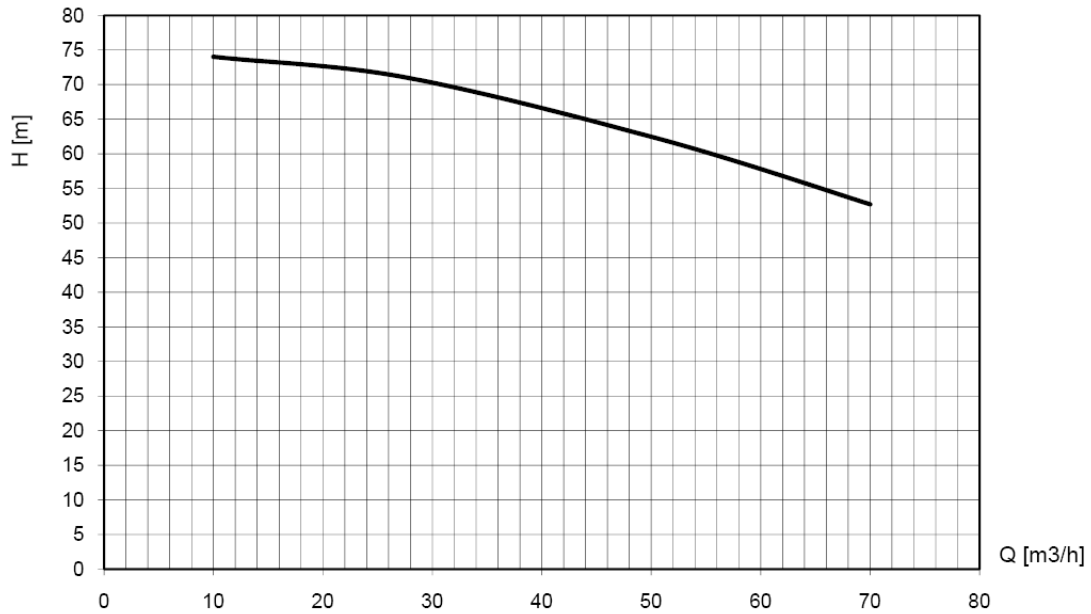
After sales service & product support

- Single supplier for parts, spares & accessories
- Dedicated customer help-desk (24h service)
- Dedicated service department in-house
- Global parts distribution network
- Optional global on-site servicing
- Extensive training options available (technical & commercial), on-site or in-house



PERFORMANCE CURVES (2850 RPM)

Continuous duty according ISO 9906



STANDARD TECHNICAL SPECIFICATIONS

BBA centrifugal pump

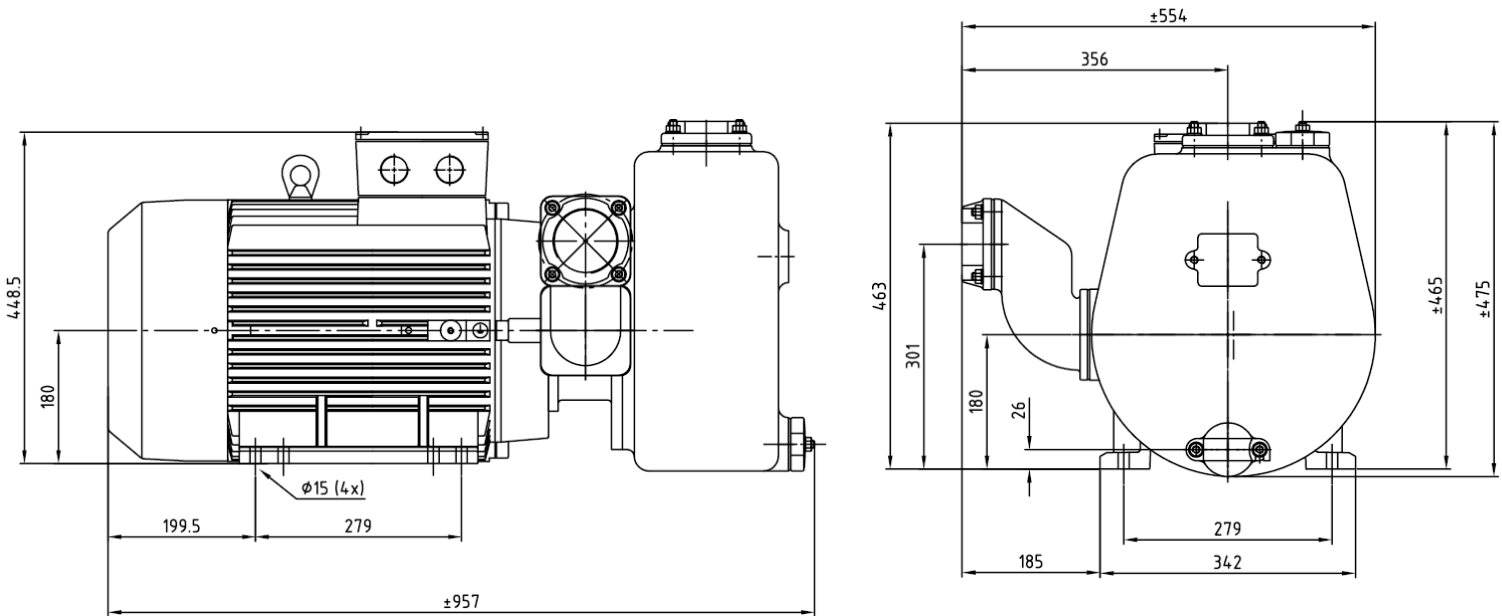
Model.....B70-250 BVGMC
Max. flow.....70 m³/hour
Max. head.....74 mwc
Free passage.....12 mm
Pump speed.....2850 rpm
Connections.....3" BSP

Electric motor

Power.....22 kW – 2 pole
Voltage.....400/690 V
Frequency.....50 Hz
Mounting.....B3/B14A, IP55, ISO F
Assembly.....Monobloc

Materials

Pump casing.....Cast iron GG20 – 0.6020
Wear plate.....Cast iron GG20 – 0.6020
Impeller.....Cast iron GG20 – 0.6020
Shaft seal.....Mechanical seal
Seal faces.....Sic / Sic / Viton
Pump shaft.....Steel C45 – 1.1191
Gaskets.....NBR / paper



OPTIONAL FEATURES

Mechanical seals

T3W seal.....HM / HM / Viton
MG1 seal.....Sic / Sic / EPDM

Gaskets

N NBR: Perbunan
V FPM: Viton
E EPDM
T PTFE: Teflon
K FFKM, Kalrez

Extras

+F.....DIN flanges
+FK.....DIN flanges, stainless steel 316
+BI.....Bronze impeller; stainless steel 316 shaft
+BII.....Bronze impeller/wear plate, stainless steel 316 shaft
+KI.....Stainless steel 316 impeller and shaft
+KII.....Stainless steel impeller, wear plate and shaft
+M.....Cutting blade
+P.....Perma grease cartridge
+VP.....Grease glass for seal lubrication
+KW.....Wheelbarrow frame
60Hz.....Motor 440V – 60Hz