

**Auto prime
pumps
BA series**



Pumps for results





Pumps for results

BBA Pumps' BA Auto Prime pump range offers a state-of-the-art series of vacuum-assisted centrifugal pumps. The pumps, are specially designed to meet the toughest dewatering and sewage pump jobs.



Innovative leaders for the past

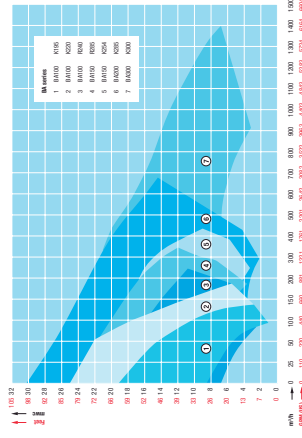
60 years

BBA Pumps BV wouldn't be a Dutch company if it didn't know how to deal with water! We've been helping our customers keep their feet dry for over sixty years: we use our knowledge and experience in dewatering and rental to create high-quality products and solutions together with our customers. Innovation is our strength: we are constantly working on new techniques and technologies so we can continue setting the trend.

Introducing the BA series

It's not just the pump, but the total concept that makes the BA series a unique offering:

- Lowest cost of ownership
- Optimal versatility
- High reliability
- High efficiency
- Environmentally friendly



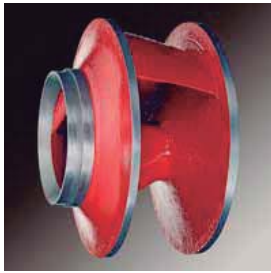
Caring for the environment

The BA series not only enables you to reduce costs, it also helps you care for the environment. Made of durable materials, the pumps are designed to prevent spillage or leakage, and to perform at high levels using very little energy.



The heart of the matter

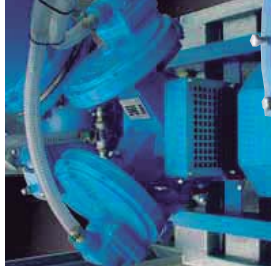
The combination of high quality and reliable and smart solutions makes the BA an outstanding and modern pump.



Channel impeller
High efficiency combined with excellent non-clog characteristics.



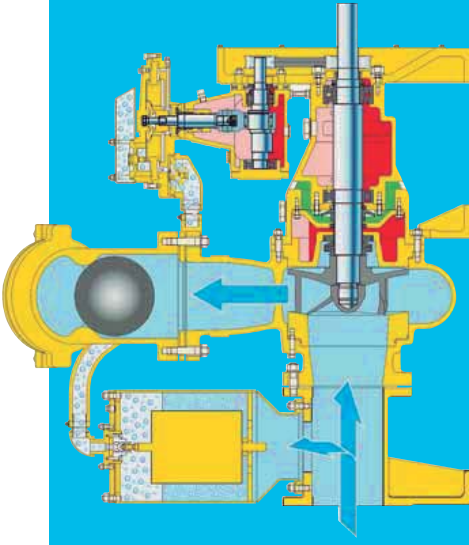
Easy inspection
Inspection, drain and fill - plugs all on one side. One type of oil needed; engine included.



Reliable vacuum pump
Diaphragm pump, air-cooled, water-resistant and oil-spillage free. Air capacity of 50 or 100 m³ per hour.

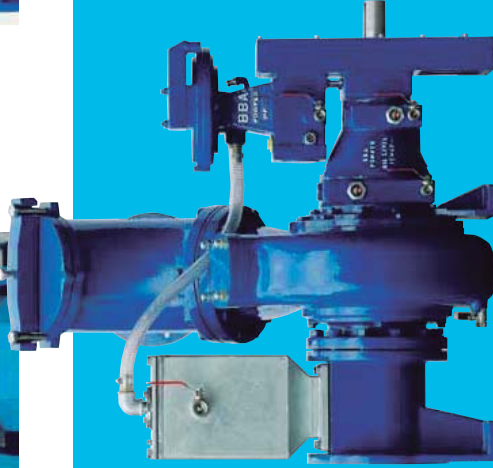


Large inspection covers
Full access to float box, impeller and valve.



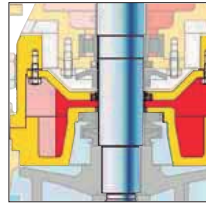
How it works

After starting the unit, the vacuum pump starts priming air out of the suction line. A non-return-valve shuts off the discharge side. As soon as the water is primed, the float closes the vacuum pump connection and the centrifugal pump starts pumping water.



What it offers

Reliability, minimum maintenance and user-friendliness. Lowest cost of ownership.



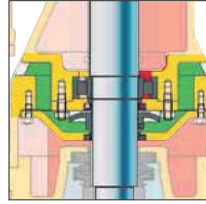
1 Large oil chamber

For optimal cooling when running dry or in snore mode.



2 Mechanical seal

Tungsten Carbide surfaces in heavy duty stainless steel body.



3 Pressure relief chamber

Makes it impossible for any fluid to enter the bearing housing.

Float box

A fully mechanical, reliable solution for the optimal separation of water and air.



Interchangeability

Modular construction, guarantees minimum stock levels.



BA electric drive models

The BA electric drive consists of;

- A heavy base frame with quality motor and flexible coupling;
- Galvanized stackable frame with lifting hook and forklift pouches;
- An electrical panel with soft starter and optional hour counter, float switch and emergency stop.



Ask for ATEX explosion proof models!

Type	Speed rpm	Connec- tion mm	Solids handling mm	Q max m ³ /h	Q max GPM	H max mwc	H max feet	Install. power kW	Dimensions mm	Weight Kg
BA100 R210 MC	1500	100	100	190	837	15	49	5.5	2200 x 1060 x 1350	750
BA100 R225 MC	1500	100	100	210	925	17	56	7.5	2200 x 1060 x 1350	800
BA100 R255 MC	1500	100	100	240	1057	22	72	11	2200 x 1060 x 1350	800
BA100 K284 MC	1500	100	50	200	881	29	95	18.5	2200 x 1060 x 1350	850
BA150 K220 MC	1500	150	90	340	1487	12	39	15	2200 x 1060 x 1350	800
BA150 R240 MC	1500	150	125	275	1211	19	62	11	2200 x 1060 x 1350	800
BA150 R270 MC	1500	150	125	355	1563	24	79	18.5	2200 x 1060 x 1350	850
BA150 R285 MC	1500	150	125	375	1651	28	92	22	2200 x 1060 x 1350	850
BA150 R315 MC	1500	150	125	400	1761	35	115	30	2200 x 1060 x 1350	900
BA200 K270 MC	1500	200	105	540	2378	17	56	30	2200 x 1060 x 1520	1340
BA200 K285 MC	1500	200	105	580	2554	19	62	37	2200 x 1060 x 1520	1400
BA200 K300 MC	1500	200	105	630	2774	22	72	45	2200 x 1060 x 1520	1440
BA200 K315 MC	1500	200	105	630	2774	27	89	55	2200 x 1060 x 1520	1520
BA300 K300 MC	1500	300	120	1400	6164	20	66	75	3000 x 1060 x 1520	2400

Air capacity 50 or 100 m³/h

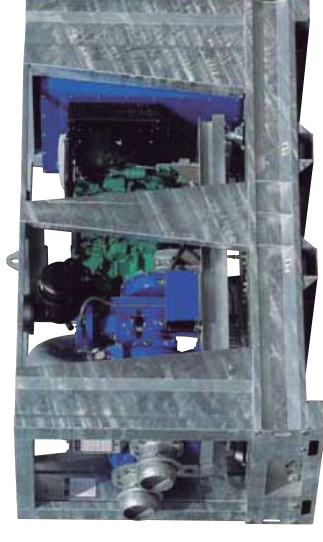


Industry baseframe



BA open diesel models

The BA open diesel models are heavy duty, and are available with float-switch start and as trailer model.



Type	Speed rpm	Connec- tion mm	Solids handling mm	Q max m ³ /h	Q max GPM	H max mwc	H max feet	Install. power kW	Dimensions mm	Weight Kg
BA100 K195 HAsgp+T	1500	100	82	135	594	17	56	5.5	1900 x 1150 x 1350	750
BA100 K220 HA	1800	100	50	190	837	30	98	18.2	2500 x 1250 x 1800	1600
BA100 R240 DE	1800	100	100	250	1101	28	92	16.7	2500 x 1250 x 1800	1650
BA100 K230 DE	1800	100	50	215	947	36	118	23.6	2500 x 1250 x 1800	1650
BA100 K264 HA	1800	100	50	220	969	42	138	28	2500 x 1250 x 1800	1650
BA150 K235 HA	1800	150	90	460	2025	22	72	28	2500 x 1250 x 1800	1750
BA150 K244 HA	1500	150	90	430	1893	18	59	37.2	2500 x 1250 x 1800	1800
BA150 R255 HA	1800	150	125	350	1541	32	105	23.6	2500 x 1250 x 1800	2300
BA150 R285 DE	1800	150	125	400	1761	37	121	37	2500 x 1210 x 1800	2300
BA200 K285 DE	1800	200	105	690	3038	26.5	87	64	3300 x 1250 x 2000	2900
BA200 K300 DE	1800	200	105	750	3302	33	108	77	3300 x 1250 x 2000	2900
BA200 K328 DE	1800	200	105	750	3302	32	105	106	3300 x 1250 x 2000	2900
BA300 K300 DE	1500	300	120	1400	6164	20	66	72	4000 x 1250 x 2000	3500

Air capacity 50 or 100 m³/h



The proof

- Consumes less than 1,5 litres of fuel per hour! (0,4 Gallons (US)/hour)
- Fuel tank autonomy approx. 1 week!
- 54 db(A) at 10 meters
- Fully oil spill and leakage free system.
- Bunded fuel tank and oil/water separator built in.



BA 100 model 4 inch silenced

This popular compact 4-inch model is truly one of a kind:

- The 82 mm solids handling capacity enables sewage bypass operations without any problems.
- The compact pump unit guarantees flexibility and easy handling.
- Together with the familiar Hatz iD81Z engine, the high-efficiency impeller reduces fuel consumption to a minimum.

Combined with the large bunded fuel tank (220 liters), it offers long autonomous running time (150 hrs on full load).



Type	Speed rpm	Connection mm	Solids handling mm	Q max m ³ /h	Q max GPM	H max mwc	H max feet	Install. power kW	Dimensions mm	Weight Kg
BA100 K195 HA GL	1500	100	82	135	594	17	56	5,5	1980 x 1000 x 1405	1100

Air capacity 50 m³/h



Protection bars for a durable look and long life.



Lockable "T-locks" for good grip and durability.



Heavy-duty stainless steel hinges with lubrication point.



Auto-start control panel saves fuel and running hours.



4-6-8-12 inch silenced

A variety of innovative details contribute to a modern look and long life. For example, the galvanized canopy and frame parts. The tank, panels and parts of robust polyethylene. Adjustable locks with a good handle.

Type	Speed rpm	Connec- tion mm	Solids handling mm	Q max m ³ /h	Q max GPM	H max mwc	H max feet	Instal. power kW	Dimensions mm	Weight Kg
BA100 K220 HA GL	1800	100	50	190	837	30	98	18,2	2500 x 1210 x 1960	2050
BA100 R240 DE GL	1800	100	100	250	1101	28	92	16,7	2500 x 1210 x 1960	2200
BA100 K250 DE GL	1800	100	50	215	947	36	118	23,6	2500 x 1210 x 1960	2200
BA100 K264 HA GL	1800	100	50	220	969	42	138	28	2500 x 1210 x 1960	2100
BA150 K235 HA GL	1800	150	90	460	2025	22	72	28	2500 x 1210 x 1960	2250
BA150 K254 HA GL	1500	150	90	430	1893	18	59	30,6	2500 x 1210 x 1960	2300
BA150 R255 HA GL	1800	150	125	350	1541	32	105	23,6	2500 x 1210 x 1960	2300
BA150 R285 DE GL	1800	150	125	400	1761	37	121	37	2500 x 1210 x 1960	2300
BA200 K285 DE GL	1800	200	105	690	3038	26,5	87	64	3300 x 1210 x 1960	2800
BA200 K300 DE GL	1800	200	105	750	3302	33	108	77	3300 x 1210 x 1960	2800
BA200 K328 DE GL	1800	200	105	840	3698	45	148	106	3300 x 1210 x 1960	2800
BA300 K300 DE GL	1500	300	120	1400	6164	20	66	65	4000 x 1250 x 1960	4800

Air capacity 50 or 100 m³/h

Sound-proofed casing for silent operation and easy cleaning

The units are quiet, even without insulation in the casing. The lack of insulation means that the casing can be easily cleaned from the inside using a high-pressure washer.



Fuel tank

Corrosion-free, 300 liter, high-density polyethylene (HDPE) fuel tank.



Durability

The doors are deepened, so they won't be damaged when the unit is handled by a forklift.



Smart and speedy servicing thanks to the E-slide®

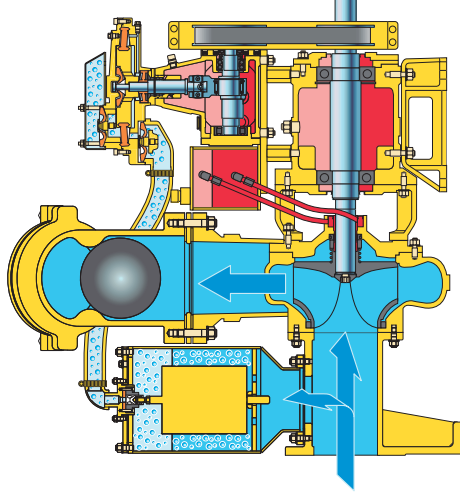
The purpose-built E-slide® stands for simplicity in design and maintenance. The pump and the diesel engine are fixed to a subframe that can be removed from the canopy for major maintenance.





Cycloseal® and run-dry

The patented Cycloseal® design has unique deflector vanes that work with the impeller backvanes to create a cyclo-action. This action removes solids and abrasive materials from the seal area while purging air and gas pockets, thus extending the seal's life and eliminating any need for venting or water-flushing. All of the pumps in the BA series are designed to run dry for longer periods. The mechanical seal is cooled by an external oil circulation system.

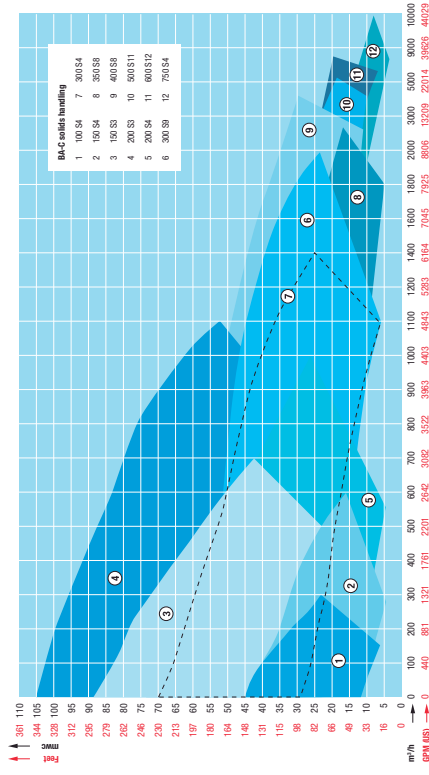


BA-C models

The BA-C range, which consists of solids handling pumps and clear liquid pumps, fully meets to our philosophy of producing "pumps for results." The products in this range combine a highly efficient pump casing with a reliable and robust construction—elements that guarantee excellent performance with low energy consumption and maintenance costs.



BA-C solids handling



The BA-C series' solids handling pumps combine large free passages up to 259 mm with high pressures up to 10 bars.

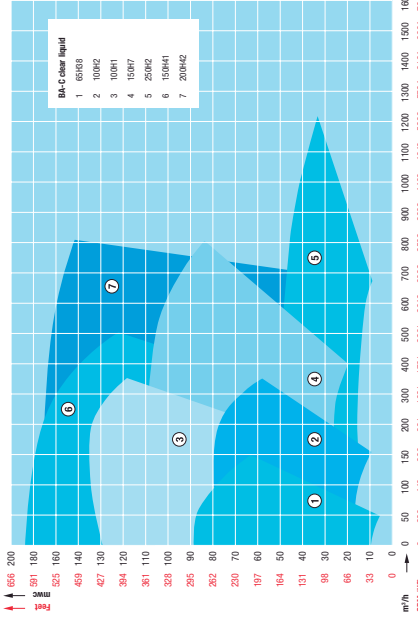


BA-C series solids handling

Type	RPM	Connection mm	Solids handling mm	Q max m³/h	Q max GPM (US)	H max mwc	H max Feet	Air m³/h	Power kW	Install. Power kW	Dimensions mm
100 S4 D256 DE GL	1800	150/100	76	290	1277	35	115	50	18.5	23.6	2500 x 1210 x 1960
150 S4 D241 DE GL	1800	200/150	76	500	2202	26	85	50	21.3	23.6	2500 x 1210 x 1960
150 S3 D305 HA GL	1800	200/150	76	560	2466	48	157	50	35.2	37	2500 x 1210 x 1960
150 S3 D356 DE GL	1800	200/150	76	620	2730	68	223	50	73	77	3300 x 1210 x 1960
200 S4 D279 HA GL	1800	250/200	85	760	3346	38	125	50	33	37	3300 x 1210 x 1960
200 S4 D305 DE GL	1800	250/200	85	850	3743	49	161	50	57	64	3300 x 1210 x 1960
200 S3 D305 HA GL	1500	250/200	85	700	3082	30	98	50	22	37	3300 x 1210 x 1960
200 S3 D356 DE GL	1800	250/200	85	1000	4403	61	200	50	86	106	4000 x 1210 x 1960
300 S9 D327 DE GL	1800	300/300	76	1700	7485	32	105	100	94	106	4000 x 1210 x 1960
300 S9 D356 DE GL	1800	300/300	76	2200	9687	55	180	100	183	234	5000 x 1500 x 2510
300 S4 D356 VO GL	1800	300/300	101	1300	5724	58	190	100	110	122	4000 x 1210 x 1960
350 S8 D445 VO GL	1000/1800	350/300	101	2200	9687	28	92	100	92	122	4500 x 1500 x 2510
400 S8 D559 VO GL	1000/1800	350/350	114	3200	14090	49	161	100	221	234	5000 x 1500 x 2510
500 S11 D711 VO GL	750/1800	600/500	127	5500	24217	39	128	100	320	400	6060 x 2450 x 2600
600 S12 D660 VO GL	735/1800	600/600	133	6500	28620	32	105	100	368	400	6060 x 2450 x 2600
750 S4 D868 VO GL	565/1800	750/750	259	9000	39627	29	95	100	330	400	6060 x 2450 x 2600

The above-mentioned types and data are the same for open diesel sets. The BA-C series of solids handling pumps is also available with electric drive.

BA-C clear liquid pumps



The BA-C series provides a wide range of clear liquid pumps for pressures up to 18 bars.



BA-C series clear liquid

Type	RPM	Connection mm	Solids handling mm	Q max m³/h	Q max GPM	H max mwc	H max Feet	Air m³/h	Power kW	Install. Power kW	Dimensions mm
65 H38 D232 HA GL	1800	100/60	12	85	374	26	85	50	5.5	5.5	2500 x 1210 x 1960
65 H38 D254 HA GL	3000	100/60	12	160	704	88	289	50	35	47	2500 x 1210 x 1960
100 H2 D324 HA GL	1800	150/100	21	310	1365	54	177	50	34	37	2500 x 1210 x 1960
100 H1 D305 HA GL	1800	150/100	15	240	1057	48	157	50	35	37	2500 x 1210 x 1960
100 H1 D418 DE GL	1800	150/100	15	320	1409	97	318	50	100	106	4000 x 1210 x 1960
150 H41 D406 VO GL	1800	200/100	35	380	1673	88	289	50	106	122	4000 x 1210 x 1960
150 H41 D457 VO GL	1800	200/100	35	420	1849	118	387	50	155	176	4500 x 1500 x 2510
150 H41 D508 VO GL	1800	200/100	35	480	2113	150	492	50	225	234	5000 x 1500 x 2510
150 H7 D406 DE GL	1800	250/150	31	800	3522	83	272	50	147	154	4000 x 1210 x 1960
150 H7 D418 VO GL	1800	250/150	31	800	3522	87	285	50	165	234	5000 x 1210 x 2510
200 H42 D381 VO GL	1800	250/150	50	700	3082	78	256	50	136	176	4500 x 1500 x 2510
200 H42 D432 VO GL	1800	250/150	50	800	3522	102	335	50	206	234	5000 x 1500 x 2510
200 H42 D553 VO GL	1800	250/150	50	800	3522	160	525	50	367	400	6060 x 2450 x 2600
250 H2 D330 DE GL	1800	300/250	31	1200	5283	50	164	50	104	106	4000 x 1210 x 1960
250 H2 D343 VO GL	1800	300/250	31	1200	5284	54	177	50	120	122	4000 x 1210 x 1960

The above-mentioned types and data are the same for open diesel sets. The BA-C series of clear liquid pumps is also available with electric drive.

BBA Pumps BV

Edisonstraat 12
Postbus 498
7000 AL Doetinchem
The Netherlands

T +31 (0)314-368 436
F +31 (0)314-378 403
E info@bbapumps.com
I www.bbapumps.com

